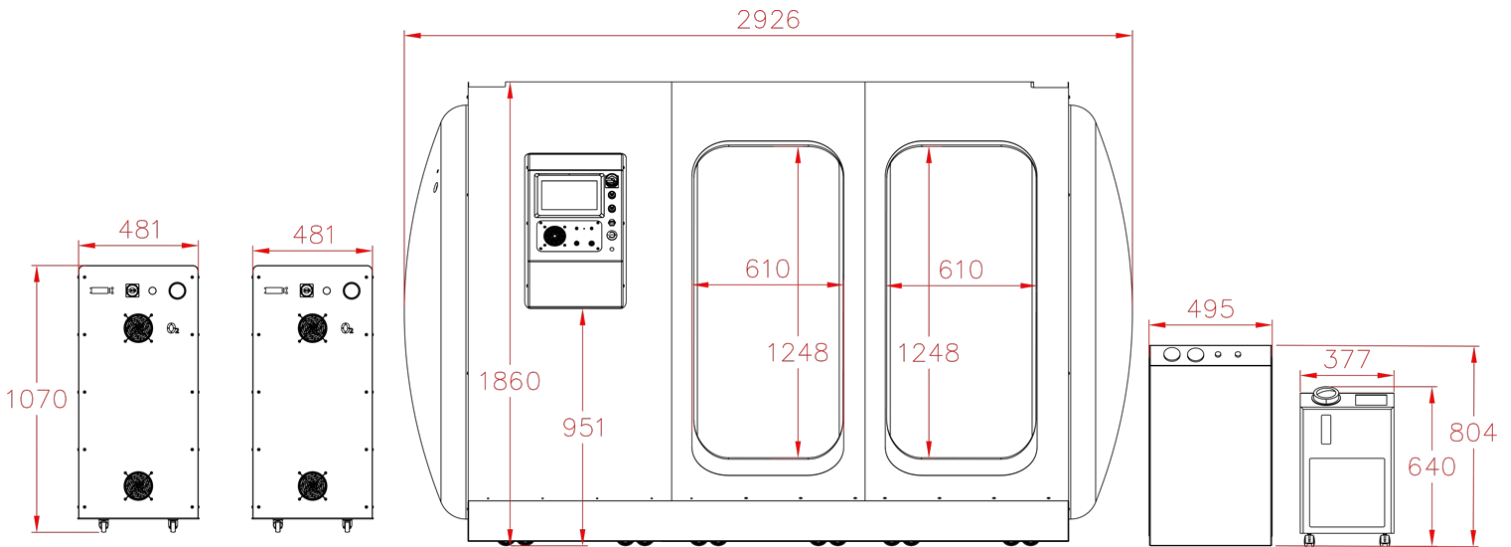
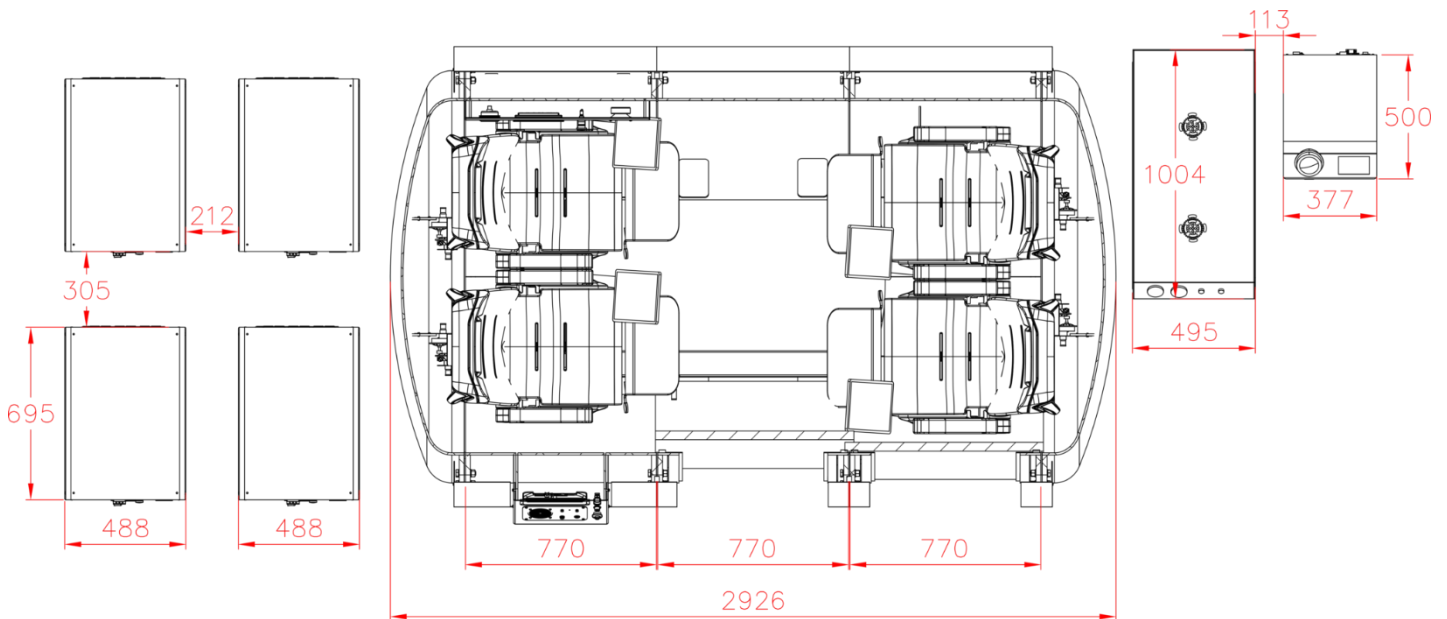


## FRONT VIEW



## TOP VIEW



CAPACITY:	OVERALL LENGTH:	MAX. OPERATING PRESSURE:
4 Person (4 seats)	2926 mm	2.0 ATA (1 bar)
MATERIAL:	OVERALL WIDTH:	DESIGN TEMPERATURE:
Aero-space aluminium	1910 mm	0°C to 38°C
SHAPE AND DESIGN:	HEIGHT:	AIR PRESSURIZATION:
3-module cylindrical shape, designed to fit any standard doorway and space	1860 mm	3.45 bar to 7.2 bar
MODULE LENGTH	WEIGHT:	AIR SUPPLY FLOW:
770 mm	870 kg	450 LPM
MINIMUM INSTALLATION FLOOR SIZE:	INTERNAL LENGTH:	BIBS OXYGEN SUPPLY:
6000 mm x 3500 mm	2900 mm	3.2 bar to 4.0 bar
MAXIMUM PATIENT WEIGHT:	INTERNAL VOLUME:	VENTILATION RATE:
225 kg	5.8 m <sup>3</sup>	125 LPM to 400 LPM
EMERGENCY DECOMPRESSION RATE:	2.0 ATA to 1 ATA in 90	