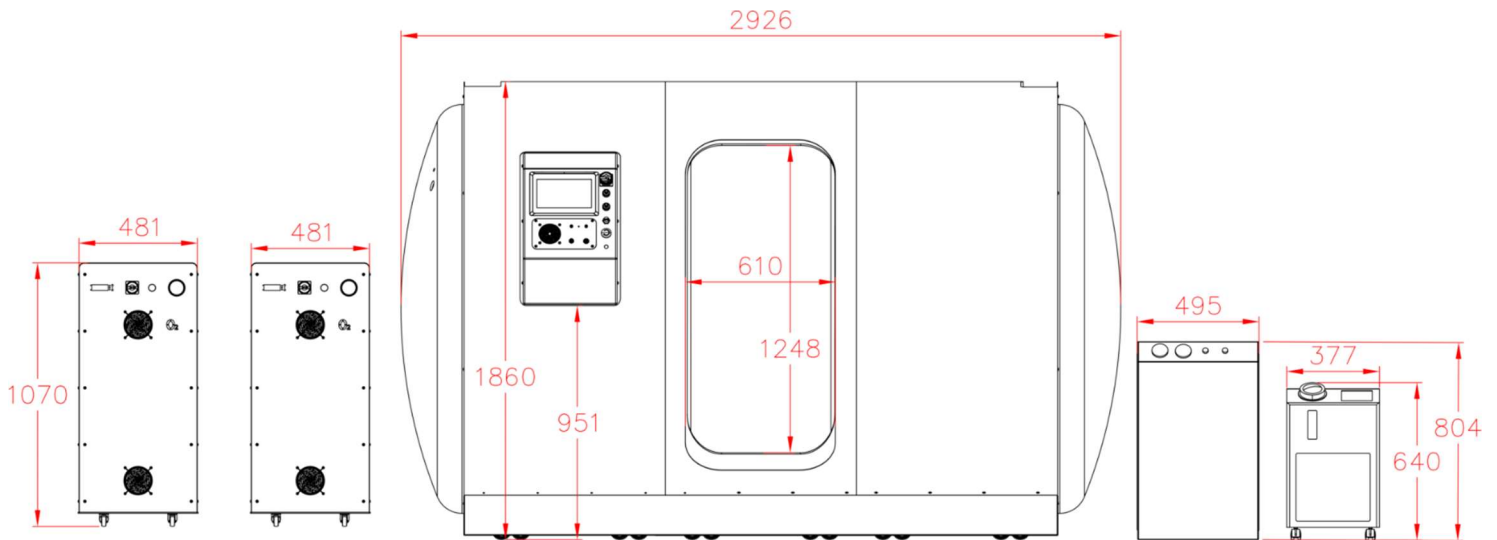
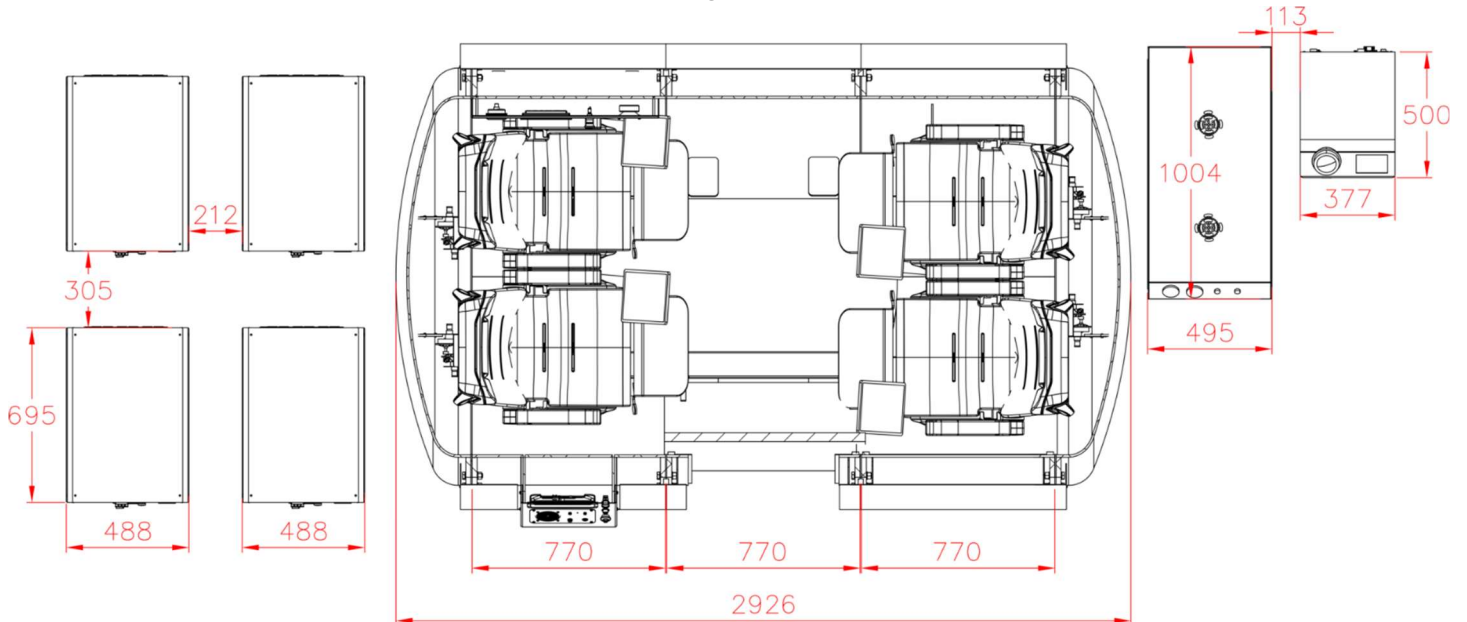


FRONT VIEW



TOP VIEW



| CAPACITY: | OVERALL LENGTH: | MAX. OPERATING PRESSURE: |
|--|-----------------------------|--------------------------|
| 4 Person (4 seats) | 2926 mm | 2.0 ATA (1 bar) |
| MATERIAL: | OVERALL WIDTH: | DESIGN TEMPERATURE: |
| Aero-space aluminium | 1848 mm | 0°C to 38°C |
| SHAPE AND DESIGN: | HEIGHT: | AIR PRESSURIZATION: |
| 3-module cylindrical shape, designed to fit any standard doorway and space | 1860 mm | 3.45 bar to 7.2 bar |
| MODULE LENGTH | WEIGHT: | AIR SUPPLY FLOW: |
| 770 mm | 870 kg | 450 LPM |
| MINIMUM INSTALLATION FLOOR SIZE: | INTERNAL LENGTH: | BIBS OXYGEN SUPPLY: |
| 6000 mm x 3500 mm | 2900 mm | 3.2 bar to 4.0 bar |
| MAXIMUM PATIENT WEIGHT: | INTERNAL VOLUME: | VENTILATION RATE: |
| 225 kg | 5.8 m ³ | 125 LPM to 400 LPM |
| EMERGENCY DECOMPRESSION RATE: | 2.0 ATA to 1 ATA in 90 sec. | |