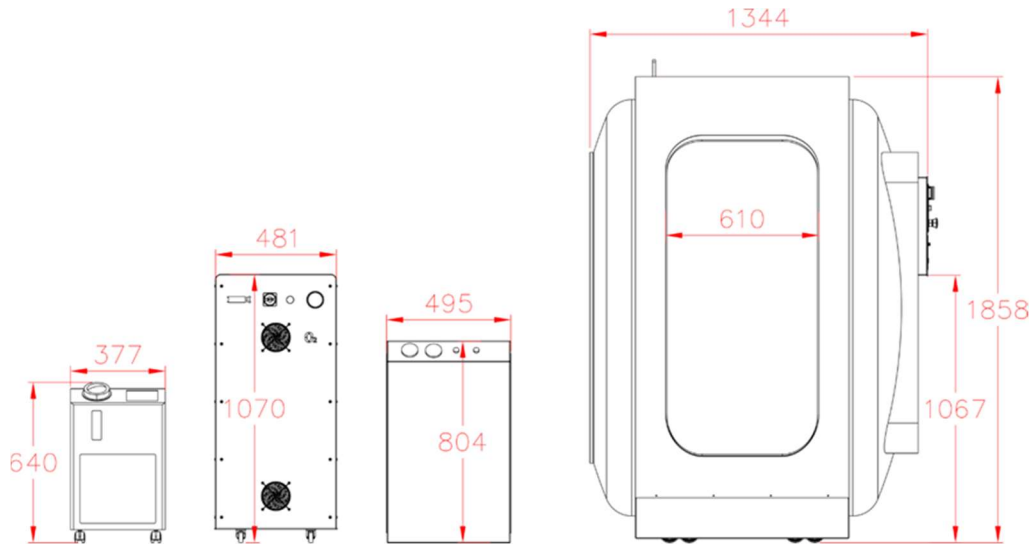
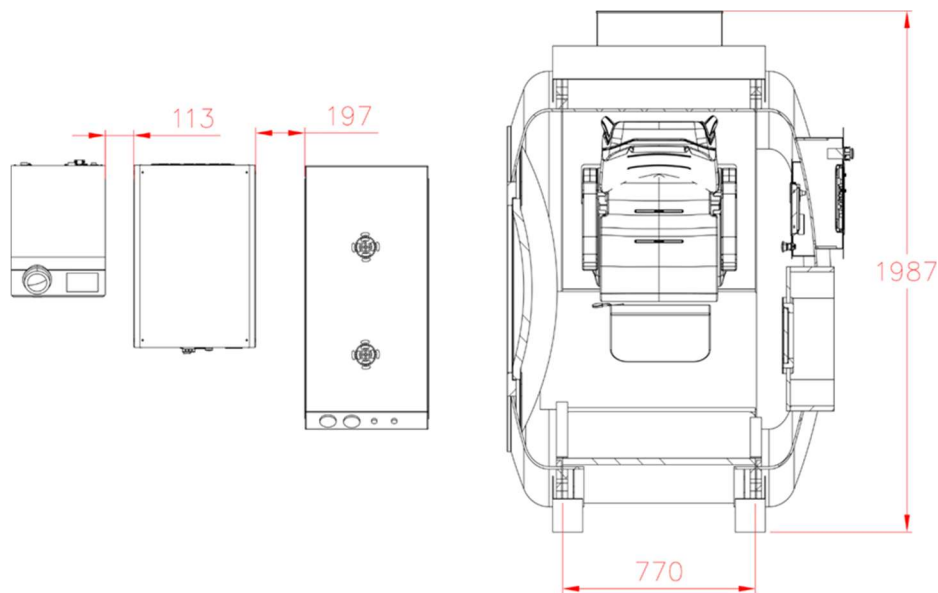


Front View



Top View



CAPACITY:	OVERALL LENGTH:	MAX. OPERATING PRESSURE:
1 Person (1 seats)	1344 mm	2.0 ATA (1 bar)
MATERIAL:	OVERALL WIDTH:	DESIGN TEMPERATURE:
Aero-space aluminium	1987 mm	0°C to 38°C
SHAPE AND DESIGN:	HEIGHT:	AIR PRESSURIZATION:
One unit, cylindrical shape, 3 modules, designed to fit any standard doorway and space	1858 mm	3.45 bar to 7.2 bar
MODULE LENGTH	WEIGHT:	AIR SUPPLY FLOW:
770 mm	400 kg	250 LPM
MINIMUM INSTALLATION FLOOR SIZE:	INTERNAL LENGTH:	BIBS OXYGEN SUPPLY:
4400 mm x 3000 mm	1620 mm	3.2 bar to 4.0 bar
MAXIMUM PATIENT WEIGHT:	INTERNAL VOLUME:	VENTILATION RATE:
225 kg	1.9 m ³	125 LPM to 400 LPM
EMERGENCY DECOMPRESSION RATE:	2.0 ATA to 1 ATA in 90 sec.	