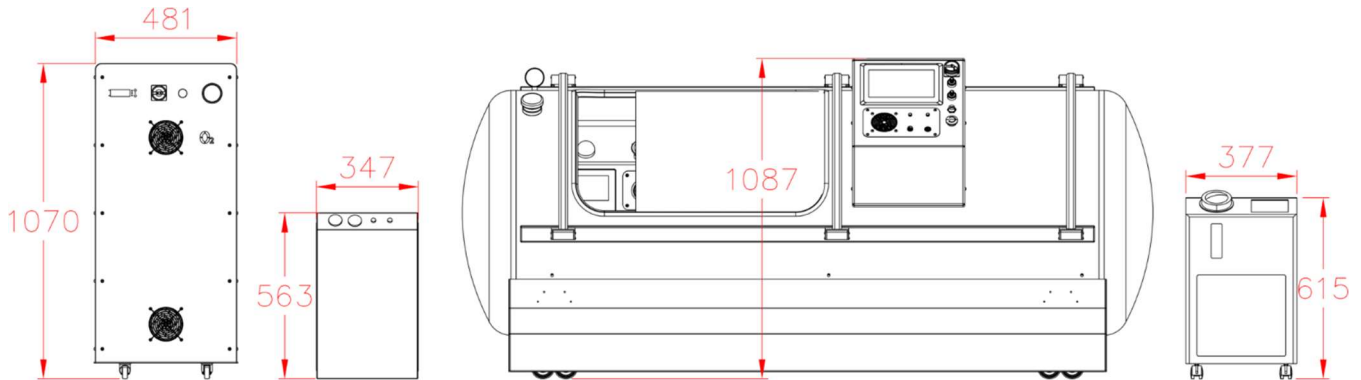
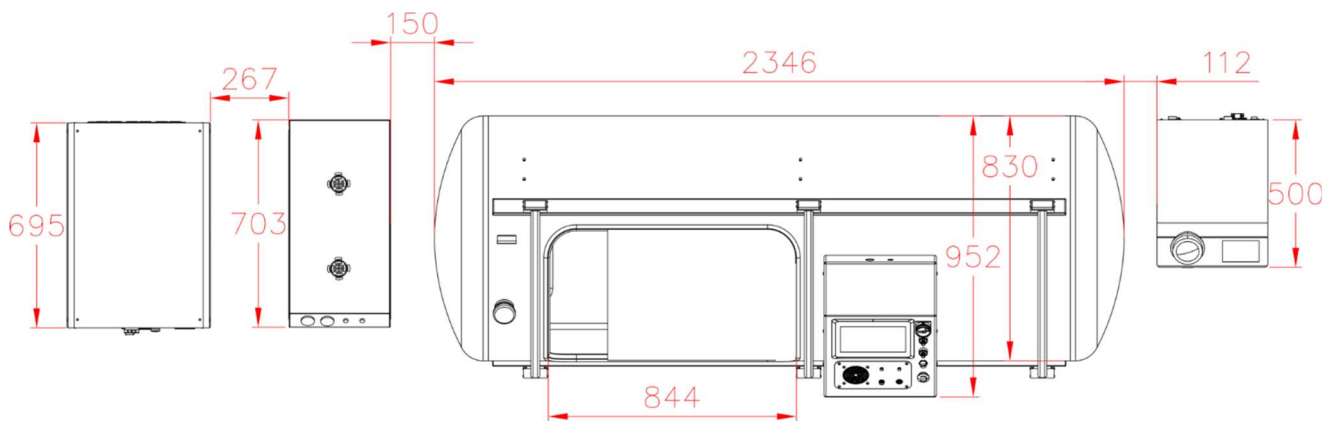


Front View



Top View



| CAPACITY: | OVERALL LENGTH: | MAX. OPERATING PRESSURE: |
|--|--------------------|--------------------------|
| 1 Person (1 lay-down) | 23461 mm | 2.0 ATA (1.0 bar) |
| MATERIAL: | OVERALL WIDTH: | DESIGN TEMPERATURE: |
| Aero-space aluminium | 830 mm | 0°C to 38°C |
| SHAPE AND DESIGN: | HEIGHT: | AIR PRESSURIZATION: |
| Cylindrical shape, 1 modules, designed to fit any standard doorway and space | 1087 mm | 3.45 bar to 7.2 bar |
| MINIMUM INSTALLATION FLOOR SIZE: | WEIGHT: | AIR SUPPLY FLOW: |
| 4500 mm x 2600 mm | 180 kg | 250 LPM |
| MAXIMUM PATIENT WEIGHT: | INTERNAL LENGTH: | BIBS OXYGEN SUPPLY: |
| 225 kg | 810 mm | 3.2 bar to 4.0 bar |
| | INTERNAL VOLUME: | VENTILATION RATE: |
| | 1.0 m ³ | 125 LPM to 400 LPM |